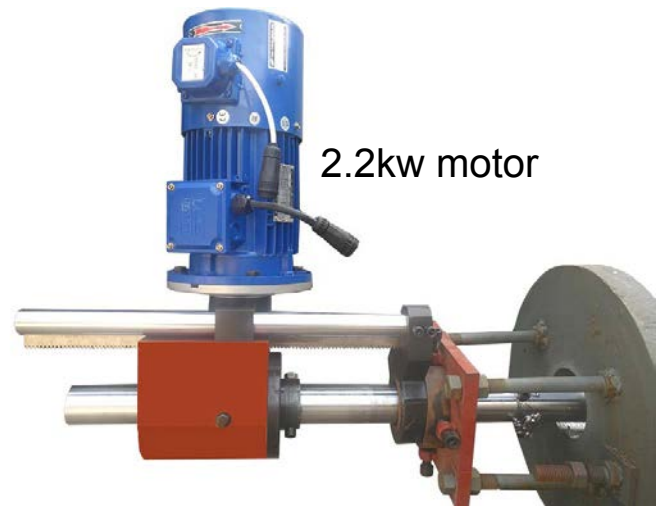


A powerful line boring machine that can be customized to suit your needs



2.2kw motor



Metabo motor

BB50 Portable Line Boring Machine is a compact, versatile and powerful line boring machine in the first class of the world. Easy to set up, designed to get tough jobs done relatively easy. Easily configured for difficult machining applications.

With AC 2.2Kw drive motor available both for line boring and inner bore welding. With Metabo motor can only in line boring.

- Aluminum alloy shell machinebody, weight only 13Kg.
- The boring bar through the machine-body to ensure the coaxiality of the machine-body and the boring bar. The machine-body can be installed at any position of the boring bar. This feature allows BB50 can be setup in a tight space.
- The patented feed mechanism is a reliable and durable structure with almost no fault. Variable speed feed mechanism can achieve forward feed, reverse feed, and manual feed function
- Powerful AC 2.2Kw drive motor, variable speed control by a frequency converter. General motor, stable, easy maintenance. The connection between the motor and the Machine-body is convenient to disassemble, and the suitable motor can be replaced according to the local conditions.
- German Metabo Motor motor optional.
Optional power supply: 220V single phase or 380V three-phase power.
- Bearing mount assembly can be designed according to customers' needs. Adjustable mechanism ensure the coaxiality of the boring bar, machine-body and bearing mount assembly.
- Durable all closed aluminum alloy machine-body, gear oil is used to lubricate and cooling the gears.
- Advanced worm gear reducer, high efficiency and high torque output, cutting ability 8mm in the radius.
- The slotless structure avoids the bending deformation of the boring bar due to the machining stress.
- Feed stroke can be easily changed.
- Easy to operate with the remote controller. The electric control box is separated from the machine-body, avoiding the loosening of electric lines caused by the vibration during the machining process.

Technical Details

| | |
|-------------------------------|---|
| Boring Bar Diameter | 50mm (1.97 inches) |
| Length of standard boring bar | 1500mm (59 inches)(Customizable) |
| Boring Diameter | 55-300mm (2.17-11.8 inches) |
| Power Unit | 2.2 Kw electric motor/metabo motor |
| | 220V single phase or 380V three-phase power |
| Axial feed speed | 0-0.5mm/r (0-0.02 inches/r) (variable speed change) |
| Facing Diameter(optional) | 60-260mm (2.6-10.24 inches) |
| Feed | Forward, Reverse, Manual |
| Boring bar speed | 0-140rpm |

Standard Accessories and Components

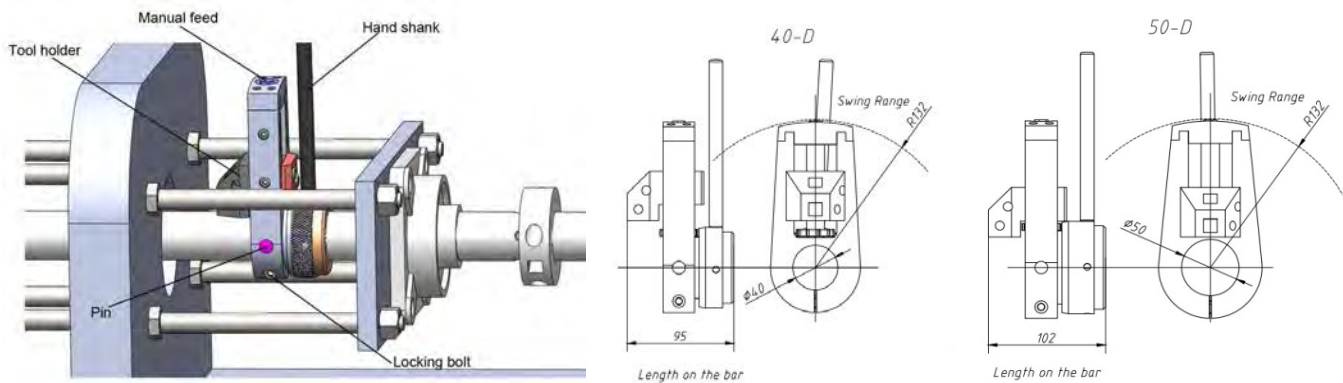
| | |
|---|-------|
| Boring Bar (Diameter*Length) 50×1500 mm (1.97*59 inches) | 1 pc |
| Machine-Body | 1 set |
| Setup Cones | 2 pcs |
| Bearing Mount Assembly | 2 pcs |
| Tool Holder | 3 pcs |
| Taiwan 2.2Kw Electric Motor(Control Box Included)/ Metabo motor | 1 pc |
| Tools | 3 pcs |
| Dial Indicator (Magnetic Seat) | 1 set |
| Spare Bolts | 1 pc |
| Wrench Tool | 1 set |
| Operating Manual | 1 pc |

Optional Boring Bar and Boring Range

| | |
|---------------------------|----------|
| +Boring Bar Diameter 30mm | 35-300mm |
| +Boring Bar Diameter 40mm | 45-300mm |

Optional Facers and Facing Ranges

| 40D Facer | |
|-----------------------------|------------------------------|
| Boring Bar | 40mm (1.57 inches) |
| Facing Diameter | 50-260mm (1.97-10.24 inches) |
| Swing Diameter | 264mm (10.39 inches) |
| Feeding rate per revolution | 0.125mm (0.0049 inches) |
| 50D Facer | |
| Boring Bar | 50mm (1.97 inches) |
| Facing Diameter | 60-260mm (2.36-10.24 inches) |
| Swing Diameter | 264mm (10.39 inches) |
| Feeding rate per revolution | 0.125mm (0.0049 inches) |



How to set up and use the facer

The Facer attaches directly to the boring machine and assembly clamps securely to any location along the boring bar for quick and easy setup. It will greatly extend the versatility of your BB50 portable line boring machine.